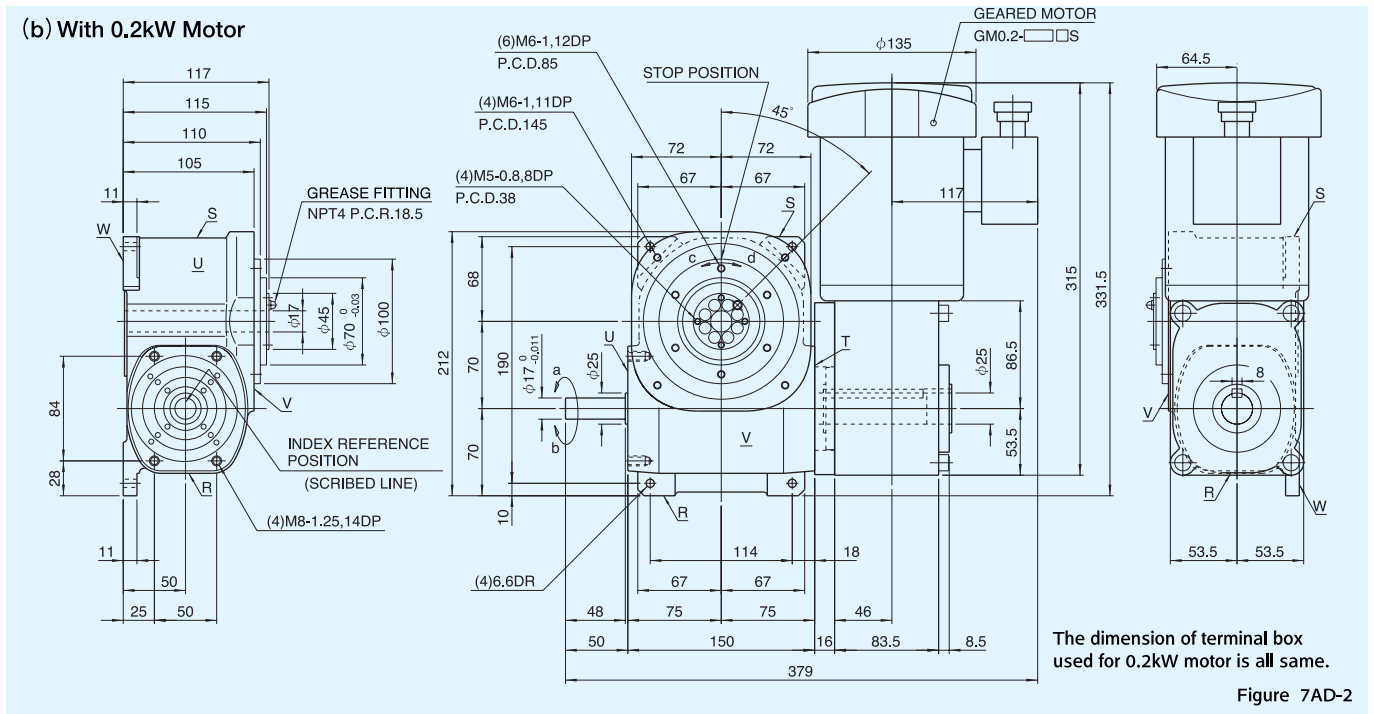
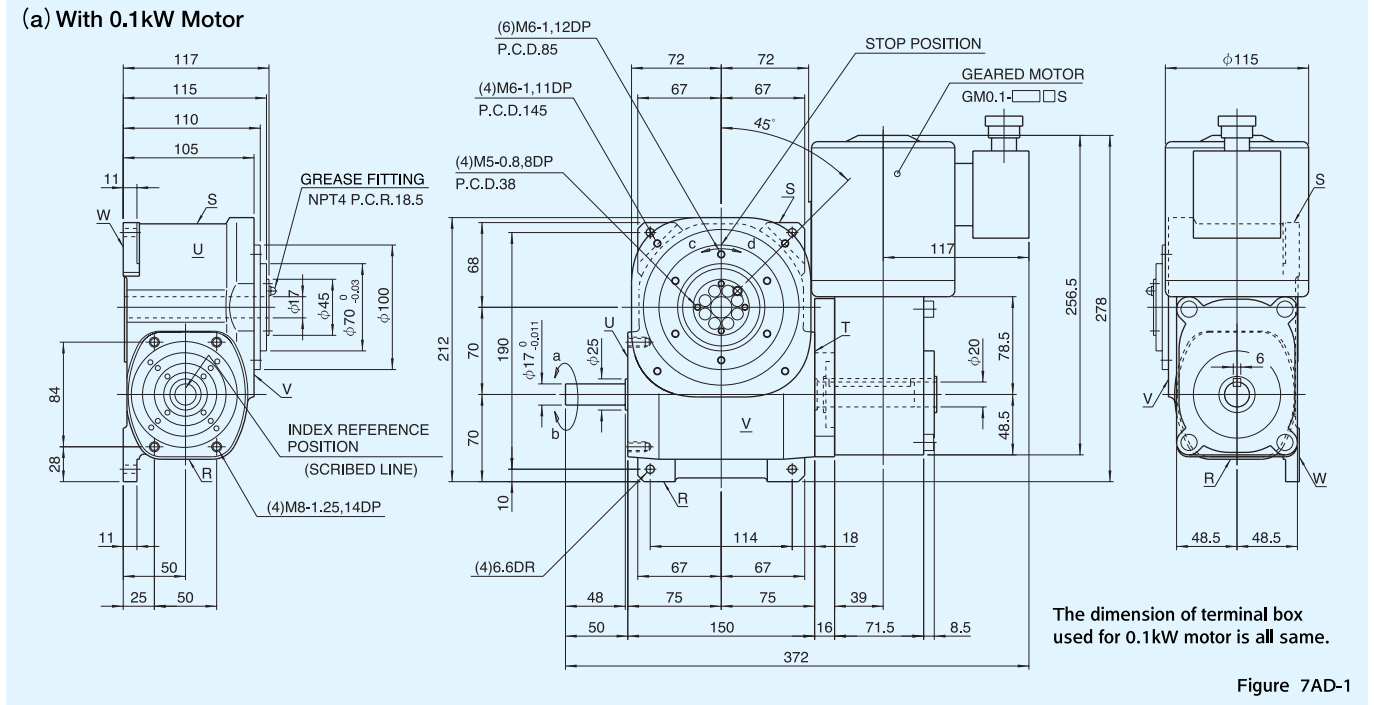


7AD Dimensions

(Unit : mm)



Specifications of indexing drive

Table 7AD-1

Item	Symbol	Unit	Value	Item	Symbol	Unit	Value	Item	Symbol	Unit	Value
Output allowable axial load	P_1	N	3100	Input allowable axial load	P_4	N	1860	Indexing accuracy (1 DWELL)		sec	± 30
Output allowable radial load	P_2	N	1400	Input maximum repetitious bending force	P_5	N	1600		Indexing accuracy (2 DWELL)		sec
Output static torque	T_s	N·m	Refer to Torque Capacity Table	Input maximum repetitious allowable torque	P_6	N·m	93.1	Repetitive accuracy			sec
Output torsional rigidity	K_1	N·m/rad	1.39×10^5	Input torsional rigidity	K_2	N·m/rad	2.62×10^4	Product weight (without reducer)		kg	15
Output moment of inertia : J	J_o	kg·m ²	3.4×10^{-3}	Input moment of inertia : J	J_c	kg·m ²	1.9×10^{-3}		Housing color	Ivory	
Output allowable bending moment	P_3	N·m	32					Geared Motor color	Aqua marine		

Note: Input moment of inertia : J is calculated in dwell.

1N·m \approx 0.102kgf·m

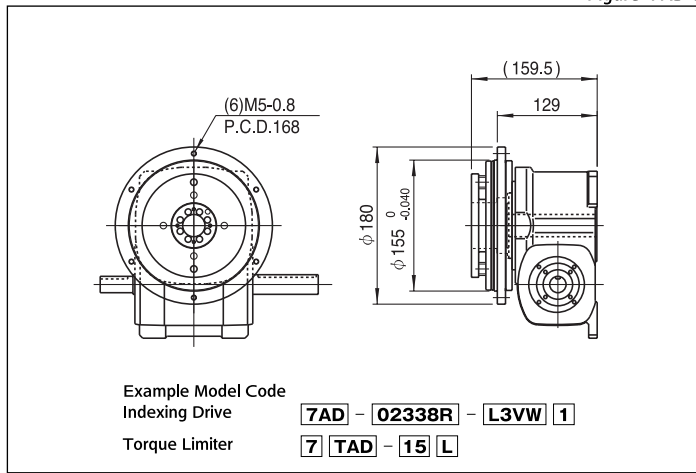
Specifications of geared motor

Table 7AD-2

Code		Motor Power (kW)	Actual Gear Ratio (i)	Output Shaft Speed N _M (rpm)		Output Allowable Torque T _R (N·m)		Moment of inertia J _m (kg·m ²)	Weight (kg)
200/220V	230V			50Hz	60Hz	50Hz	60Hz		
GM0.1-20AS-7AD	GM0.1-20BS-7AD	0.1	20	75	90	11	8.6	4.75×10 ⁻⁴	6
GM0.1-25AS-7AD	GM0.1-25BS-7AD		25	60	72	13	11		
GM0.1-30AS-7AD	GM0.1-30BS-7AD		30	50	60	16	13		
GM0.1-40AS-7AD	GM0.1-40BS-7AD		40	37.5	45	21	18		
GM0.1-50AS-7AD	GM0.1-50BS-7AD		50	30	36	25	22		
GM0.2-10AS-7AD	GM0.2-10BS-7AD	0.2	10	150	180	11	9.2	7.25×10 ⁻⁴	7.5
GM0.2-15AS-7AD	GM0.2-15BS-7AD		15	100	120	17	14		
GM0.2-20AS-7AD	GM0.2-20BS-7AD		20	75	90	23	19		
GM0.2-25AS-7AD	GM0.2-25BS-7AD		25	60	72	27	24		
GM0.2-30AS-7AD	GM0.2-30BS-7AD		30	50	60	33	27		
GM0.2-40AS-7AD	GM0.2-40BS-7AD		40	37.5	45	44	37		
GM0.2-50AS-7AD	GM0.2-50BS-7AD	50	30	36	55	46			

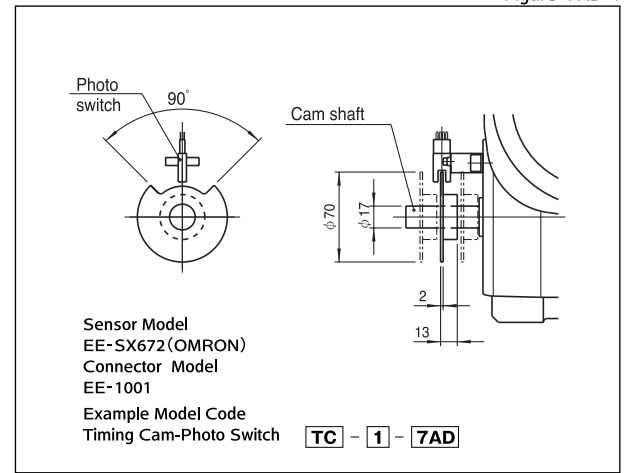
Torque limiter mounting specifications (option)

Figure 7AD-3



Timing cam-Photo switch

Figure 7AD-4



Precautions

- The dimension drawing (Figure 7AD-1, 7AD-2) shows the standard mounting position for geared motor.
- Model 7AD can be equipped with 0.1kW and 0.2kW motor. Exchange is not permitted after purchase because of different hollow size of geared motor.
- When using the 0.2kW motor, the motor will protrude beyond the indexer flange, and geared motor's bottom surface will also protrude beyond Index W surface.
- Model 7AD can be equipped with torque limiter 7TAD.
- Up to 3 sets of timing cams and photo switches can be added as necessary.
- The notch angle (90°) of timing cam is not adjustable.

Standard input shaft (T surface side)

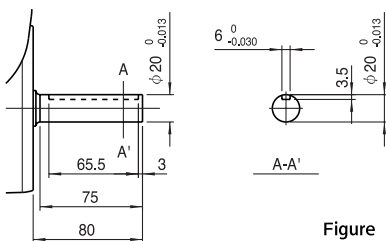


Figure 7AD-5

Output fixed flange specifications

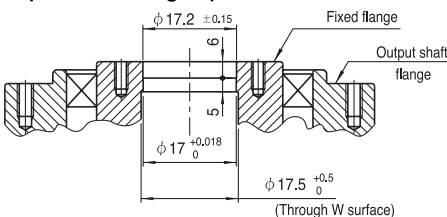


Figure 7AD-6

Locations of oil plug, etc., and oil capacity

Figure 7AD-7

Mounting position	1	2	5
Location			
Oil capacity (ℓ)	0.4	0.7	0.8

Precautions

- Each point indicated in the mounting positions shown in Figure 7AD-7 represents (starting at top) the oil plug (PT1/4), oil level (VA-01), and drain (PT1/4).
- The mounting positions correspond to code i for the indexing drives.
- The oil capacities indicated in Figure 7AD-7 are given in general figures and will differ according to the profile of the cam and the number of cam followers.