



45DF Dimensions

(Unit : mm)

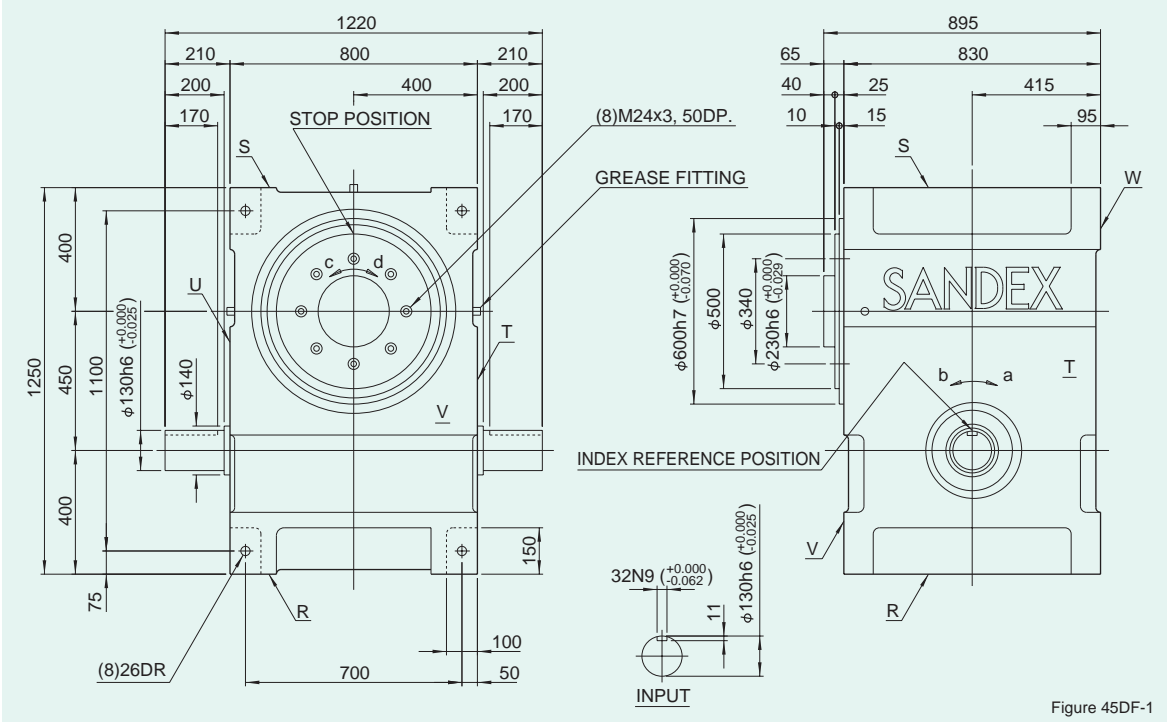


Figure 45DF-1

Locations of oil plug, etc., and oil capacity

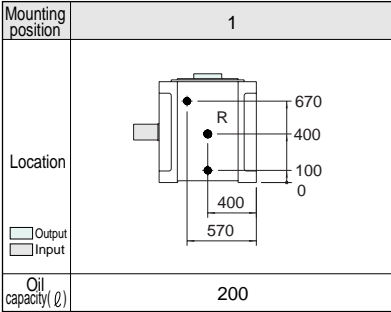
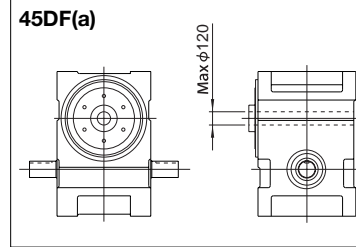


Figure 45DF-2

Precautions

- Each point indicated in the mounting positions shown in Figure 45DF-2 represents (starting at top) the oil plug (PT2), oil level (VD), and drain (PT2).
- The mounting positions correspond to code i for the indexing, oscillating, and roller drives.
- The oil levels indicated in Figure 45DF-2 are given in general figures and will differ according to the profile of the cam and the number of cam followers.

Hollow-shaft model



Fixed-shaft model

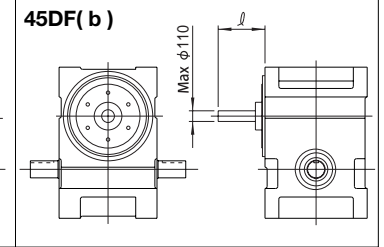


Figure 45DF-3

Precautions

- Hollow-shaft and Fixed-shaft models are treated as custom designs. For shapes, dimensions, and various specifications, contact Sankyo.

Specifications

Table 45DF-1

Item	Symbol	Unit	Value	Item	Symbol	Unit	Value	Item	Symbol	Unit	Value
Output allowable axial load	P_1	N	53900	Input allowable axial load	P_4	N	24500	Indexing accuracy (1 DWELL)		sec	± 20
Output allowable radial load	P_2	N	73500	Input maximum repetitive bending force	P_5	N	53900	Indexing accuracy (2 DWELL)		sec	± 40
Output static torque	T_s	N·m	Refer to Torque Capacity Table	Input maximum repetitive allowable torque	P_6	N·m	24500	Indexing accuracy (3 DWELL)		sec	± 60
Output torsional rigidity	K_1	N·m /rad	3.23×10^7	Input torsional rigidity	K_2	N·m /rad	3.43×10^6	Indexing accuracy (4 DWELL)		sec	± 80
Output inertia	J_o	kg·m ²	9.75	Input inertia	J_1	kg·m ²	12.0	Repetitive accuracy		sec	10
Output allowable bending moment	P_3	N·m	7056					Product weight		kg	3500
								Housing color		Gray	

Note : Input inertia : J is calculated in dwell.

(1N=0.102kgf)