



30DF/30EF/30RF

SANDEX

30DF/30EF/30RF Dimensions

(Unit : mm)

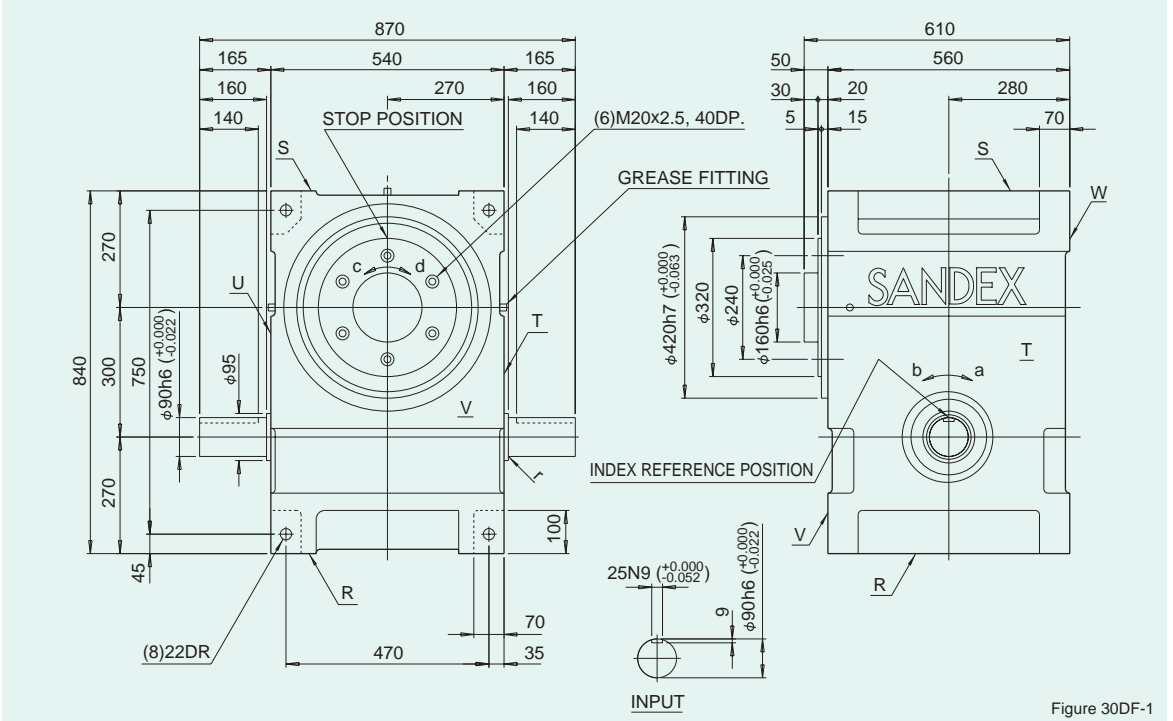
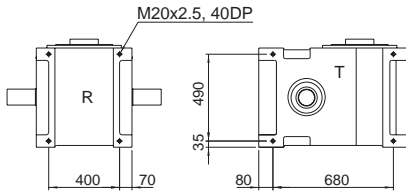


Figure 30DF-1

Mounting hole locations

Figure 30DF-2



Dimension of R, S, T, and U surface

Locations of oil plug, etc., and oil capacity

Figure 30DF-3

Mounting position	1	2	3	4	5	6
Location						
Oil capacity (ℓ)	51	47	44.5	44.5	33	46

Precautions

- Each point indicated in the mounting positions shown in Figure 30DF-3 represents (starting at top) the oil plug (PT1), oil level (VB), and drain (PT1).
- The mounting positions correspond to code i for the indexing, oscillating, and roller drives.
- The oil levels indicated in Figure 30DF-3 are given in general figures and will differ according to the profile of the cam and the number of cam followers.

Specifications

Table 30DF-1

Item	Symbol	Unit	Value	Item	Symbol	Unit	Value	Item	Symbol	Unit	Value
Output allowable axial load	P ₁	N	37240	Input allowable axial load	P ₄	N	17640	Indexing accuracy (1 DWELL)		sec	±30
Output allowable radial load	P ₂	N	46550	Input maximum repetitive bending force	P ₅	N	39200	Indexing accuracy (2 DWELL)		sec	±60
Output static torque	T _s	N·m	Refer to Torque Capacity Table	Input maximum repetitive allowable torque	P ₆	N·m	10780	Indexing accuracy (3 DWELL)		sec	±90
Output torsional rigidity	K ₁	N·m/rad	6.66x10 ⁵	Input torsional rigidity	K ₂	N·m/rad	7.74x10 ⁵	Indexing accuracy (4 DWELL)		sec	±120
Output inertia	J _o	kg·m ²	2.79	Input inertia	J ₁	kg·m ²	2.09	Repetitive accuracy		sec	15
Output allowable bending moment	P ₃	N·m	3136					Product weight		kg	900
								Housing color		Gray	

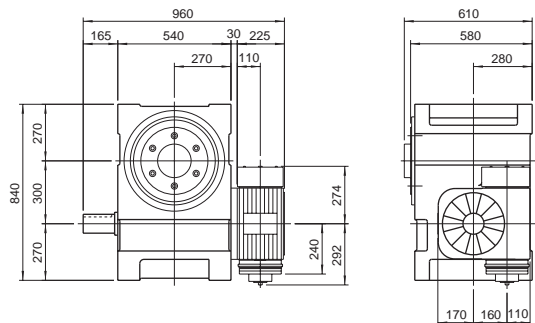
Note : Input inertia : J is calculated in dwell.

(1N=0.102kgf)

Mounted accessories

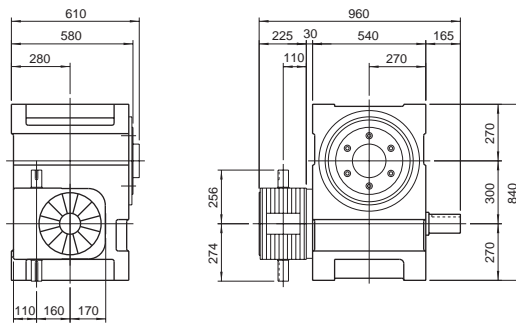
Figure 30DF-3

30DF(a)



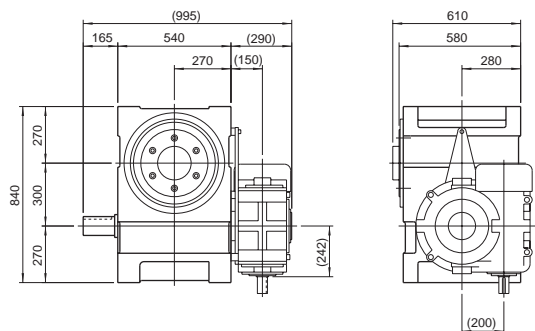
Example Model Code
 Indexing Drive 30DF — 12272R — SR3VW 1
 Reducer R160 — 50 RCB 3 / 1

30DF(b)



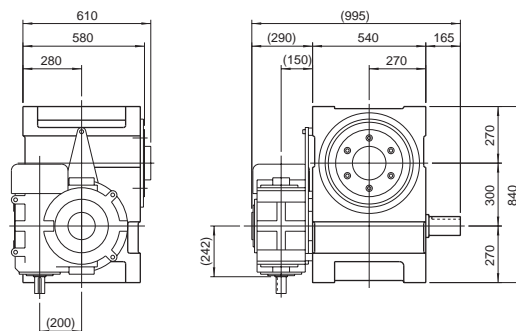
Example Model Code
 Indexing Drive 30DF — 12272R — SR3VW 1
 Reducer R160 — 50 RA 15 / 1

30DF(c)



Example Model Code
 Indexing Drive 30DF — 12272R — SR3VW 1 / X

30DF(d)



Example Model Code
 Indexing Drive 30DF — 12272R — SR3VW 1 / X

Precautions

- Models 30DF,30EF, and 30RF can be equipped with reducer R160.
- The reducer can be mounted in 16 different positions as shown on page of Reducer.
- Reducers require a collar for mounting.