



# 25DF/25EF/25RF

SANDEX

## 25DF/25EF/25RF Dimensions

(Unit : mm)

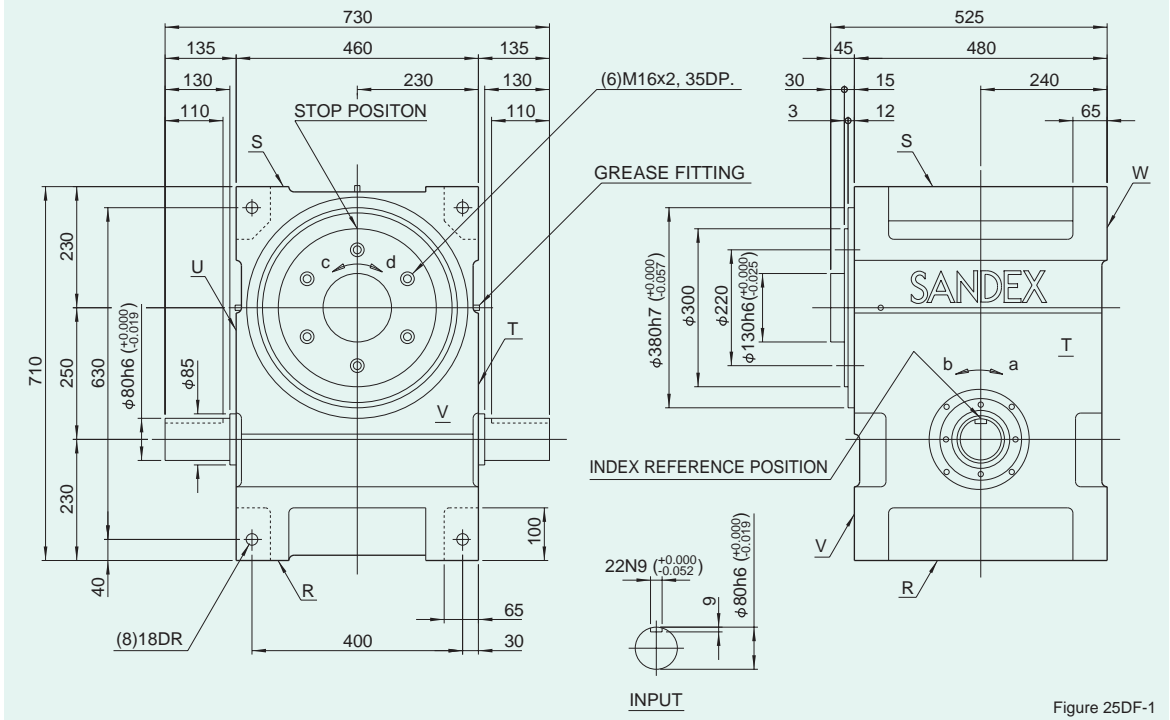
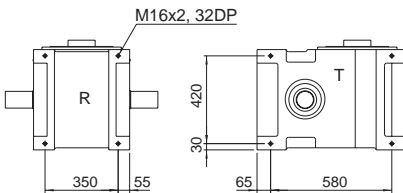


Figure 25DF-1

### Mounting hole locations

Figure 25DF-2



### Dimension of R, S, T, and U surface

### Locations of oil plug, etc., and oil capacity

Figure 25DF-3

Mounting position	1	2	3	4	5	6
Location						
Oil capacity (ℓ)	33	35	33.5	33.5	16	30

### Precautions

- Each point indicated in the mounting positions shown in Figure 25DF-3 represents (starting at top) the oil plug (PT3/4), oil level (VB), and drain (PT3/4).
- The mounting positions correspond to code i for the indexing, oscillating, and roller drives.
- The oil levels indicated in Figure 25DF-3 are given in general figures and will differ according to the profile of the cam and the number of cam followers.

### Specifications

Table 25DF-1

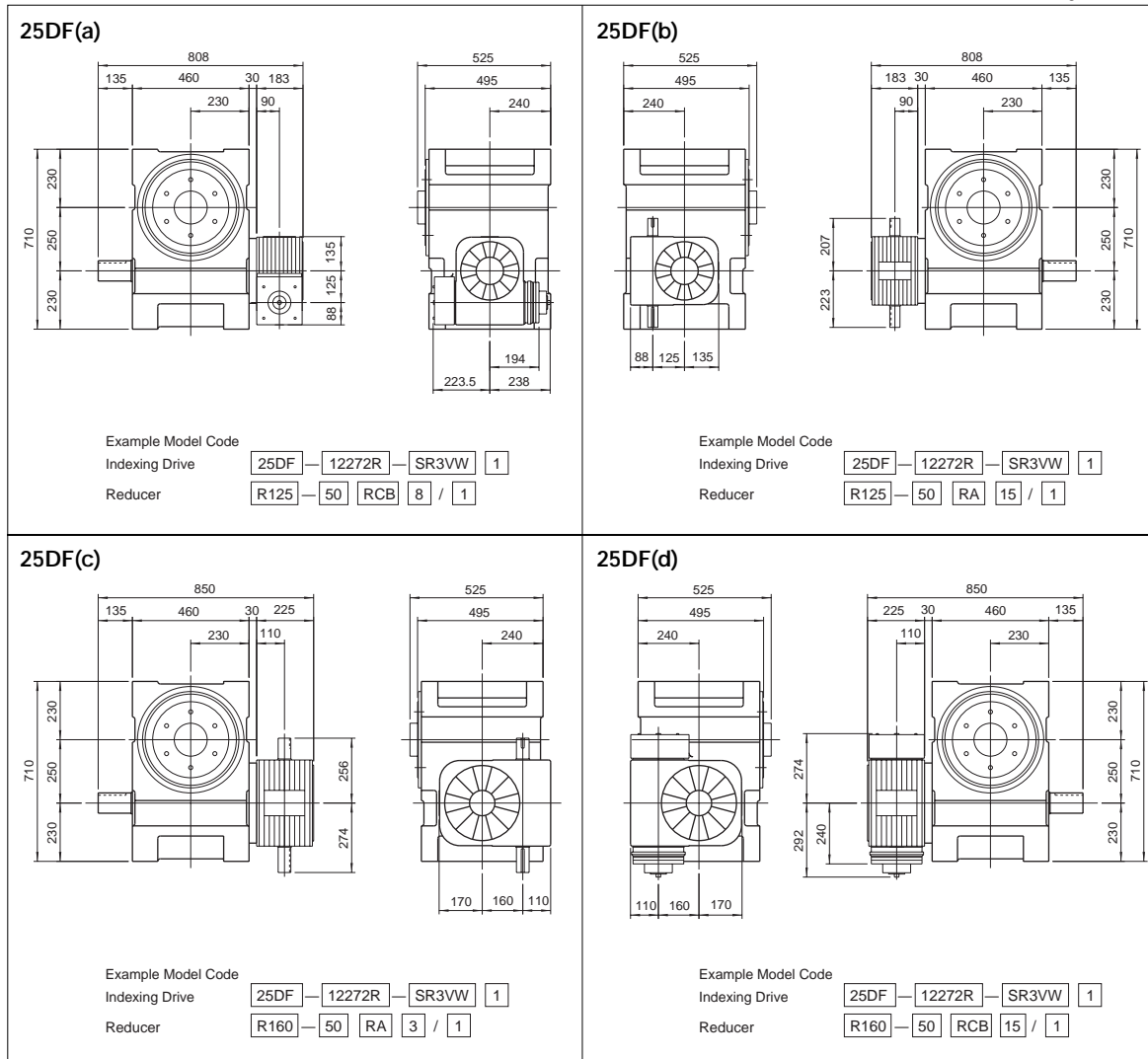
Item	Symbol	Unit	Value	Item	Symbol	Unit	Value	Item	Symbol	Unit	Value
Output allowable axial load	P <sub>1</sub>	N	31360	Input allowable axial load	P <sub>4</sub>	N	15190	Indexing accuracy (1 DWELL)		sec	±30
Output allowable radial load	P <sub>2</sub>	N	40670	Input maximum repetitive bending force	P <sub>5</sub>	N	37240	Indexing accuracy (2 DWELL)		sec	±60
Output static torque	T <sub>s</sub>	N·m	Refer to Torque Capacity Table	Input maximum repetitive allowable torque	P <sub>6</sub>	N·m	7644	Indexing accuracy (3 DWELL)		sec	±90
Output torsional rigidity	K <sub>1</sub>	N·m/rad	4.02x10 <sup>5</sup>	Input torsional rigidity	K <sub>2</sub>	N·m/rad	6.76x10 <sup>5</sup>	Indexing accuracy (4 DWELL)		sec	±120
Output inertia	J <sub>o</sub>	kg·m <sup>2</sup>	1.26	Input inertia	J <sub>1</sub>	kg·m <sup>2</sup>	0.495	Repetitive accuracy		sec	15
Output allowable bending moment	P <sub>3</sub>	N·m	2450					Product weight		kg	520
								Housing color		Gray	

Note : Input inertia : J is calculated in dwell.

(1N=0.102kgf)

Mounted accessories

Figure 25DF-3

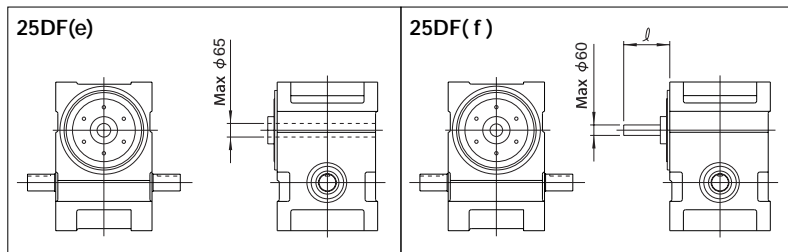


**Precautions**

- Models 25DF, 25EF, and 25RF can be equipped with reducers R125 and R160.
- The reducer can be mounted in 16 different positions as shown on page of Reducer.
- Reducers require a collar for mounting.

**Hollow-shaft model**

**Fixed-shaft model**



**Precautions**

- Hollow-shaft and Fixed-shaft models are treated as custom designs. For shapes, dimensions, and various specifications, contact Sankyo.