



# 14D/14E/14R

SANDEX

## 14D/14E/14R Dimensions

(Unit : mm)

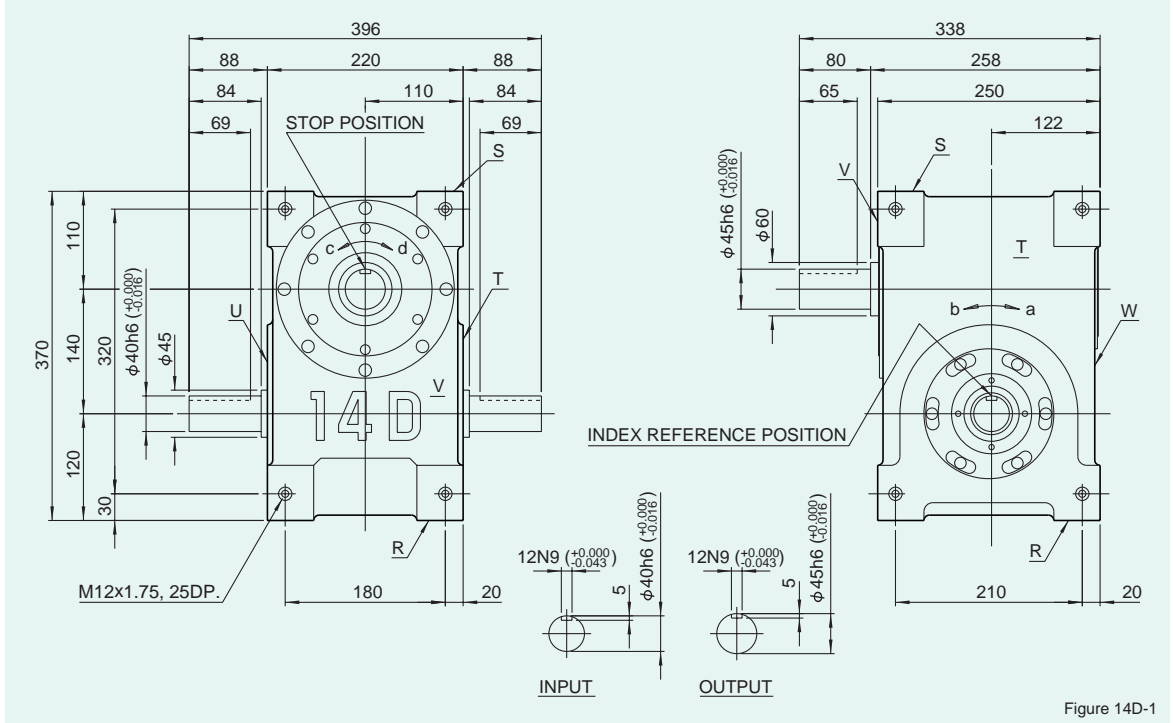
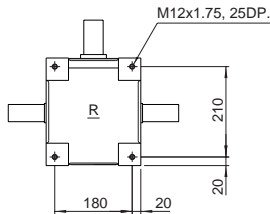


Figure 14D-1

### Mounting hole locations

Figure 14D-2



### Dimension of R and S surface

### Locations of oil plug, etc., and oil capacity

Figure 14D-3

Mounting position	1	2	3	4	5	6
Location						
Oil capacity (ℓ)	4.3	4.3	4.1	4.1	2.7	5.1

### Precautions

- Each point indicated in the mounting positions shown in Figure 14D-3 represents (starting at top) the oil plug (PT1/2), oil level (VA), and drain (PT1/2).
- The mounting positions correspond to code i for the indexing, oscillating, and roller drives.
- The oil levels indicated in Figure 14D-3 are given in general figures and will differ according to the profile of the cam and the number of cam followers.

### Specifications

Table 14D-1

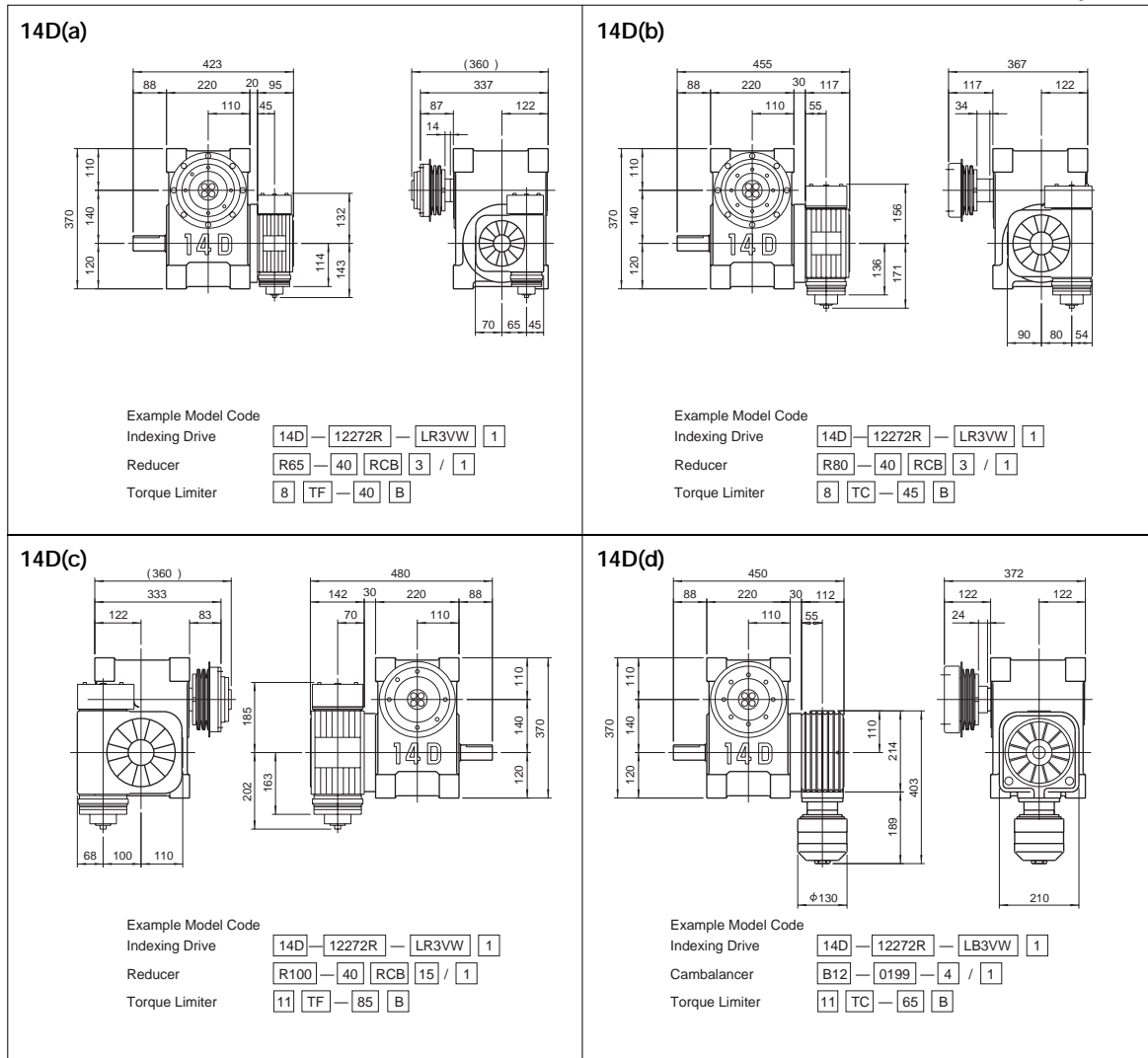
Item	Symbol	Unit	Value	Item	Symbol	Unit	Value	Item	Symbol	Unit	Value
Output allowable axial load	P <sub>1</sub>	N	7154	Input allowable axial load	P <sub>4</sub>	N	4312	Indexing accuracy (1 DWELL)		sec	±30
Output allowable radial load	P <sub>2</sub>	N	8428	Input maximum repetitive bending force	P <sub>5</sub>	N	5488	Indexing accuracy (2 DWELL)		sec	±60
Output static torque	T <sub>s</sub>	N·m	Refer to Torque Capacity Table	Input maximum repetitive allowable torque	P <sub>6</sub>	N·m	735	Indexing accuracy (3 DWELL)		sec	±90
Output torsional rigidity	K <sub>1</sub>	N·m/rad	1.86×10 <sup>5</sup>	Input torsional rigidity	K <sub>2</sub>	N·m/rad	7.84×10 <sup>4</sup>	Indexing accuracy (4 DWELL)		sec	±120
Output inertia	J <sub>o</sub>	kg·m <sup>2</sup>	2.63×10 <sup>-2</sup>	Input inertia	J <sub>1</sub>	kg·m <sup>2</sup>	2.75×10 <sup>-2</sup>	Repetitive accuracy		sec	15
Output allowable bending moment	P <sub>3</sub>	N·m	313.6					Product weight		kg	120
								Housing color		Gray	

Note : Input inertia : J is calculated in dwell.

(1N=0.102kgf)

Mounted accessories

Figure 14D-4



**Precautions**

- Models 14D, 14E, and 14R can be equipped with reducers R65, R80 and R100.
- The reducer can be mounted in 16 different positions as shown on page of Reducer.
- Models 14D, 14E, and 14R can be equipped with torque limiters 8TF, 11TF, 14TF, 8TC, 11TC and 14TC.
- Torque limiter 8TF requires a collar for mounting.
- Torque limiter TC-types require a collar for mounting.
- Reducers require a collar for mounting.