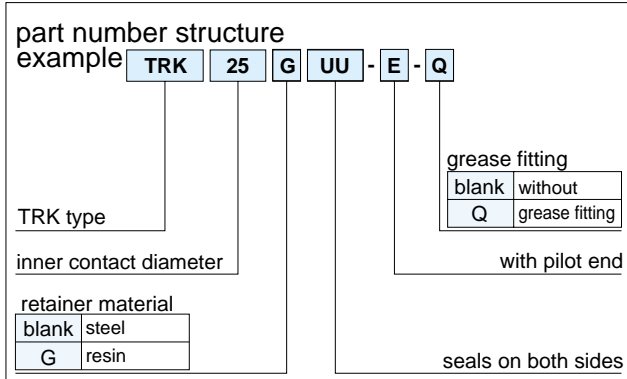
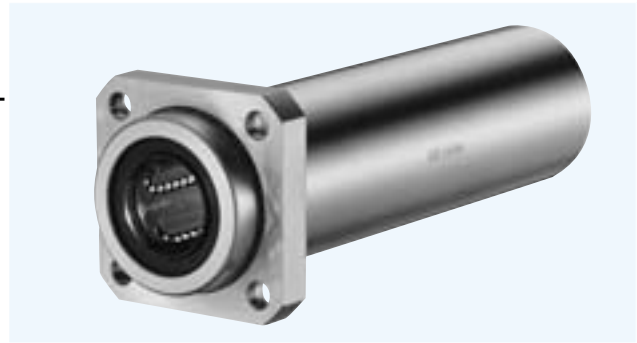


# TRK-E TYPE

## – Triple-Wide Square Flange Pilot End Type –

This type is a metric dimension series widely used in Japan and other countries.

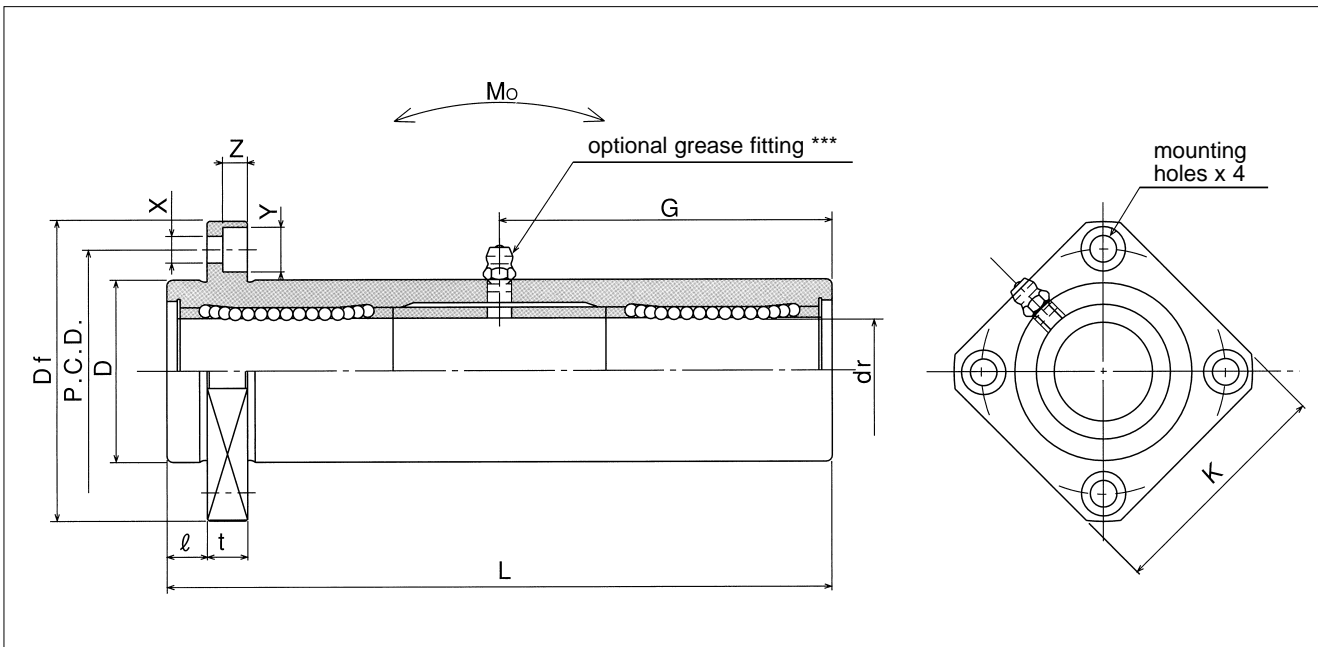


| part number*   |                |    |                 |     |                 |            |         |
|----------------|----------------|----|-----------------|-----|-----------------|------------|---------|
| steel retainer | resin retainer | dr |                 | D   |                 | L          |         |
|                |                | mm | tolerance<br>μm | mm  | tolerance<br>μm | ±0.3<br>mm | ℓ<br>mm |
| TRK 6UU-E      | TRK 6GUU-E     | 6  | 0               | 15  | 0/-18           | 51         | 5       |
| TRK 8UU-E      | TRK 8GUU-E     | 8  | -12             | 19  | 0               | 66         | 6       |
| TRK10UU-E      | TRK10GUU-E     | 10 | -15             | 23  |                 | 80         | 6       |
| TRK12UU-E      | TRK12GUU-E     | 12 |                 | 0   | 26              | -21        | 84      |
| TRK13UU-E      | TRK13GUU-E     | 13 | -18             | 28  | 0               | 90         | 6       |
| TRK16UU-E      | TRK16GUU-E     | 16 |                 | 32  |                 | 103        | 8       |
| TRK20UU-E      | TRK20GUU-E     | 20 | 0               | 40  | -25             | 118        | 8       |
| TRK25UU-E      | TRK25GUU-E     | 25 | -21             | 45  | 0               | 165        | 10      |
| TRK30UU-E      | TRK30GUU-E     | 30 |                 | 52  |                 | 182        | 10      |
| TRK35UU-E      | TRK35GUU-E     | 35 | 0               | 60  | -30             | 200        | 13      |
| TRK40UU-E      | TRK40GUU-E     | 40 | -25             | 65  | 0               | 230        | 13      |
| TRK50UU-E      | TRK50GUU-E     | 50 |                 | 85  |                 | 290        | 18      |
| TRK60UU-E      | TRK60GUU-E     | 60 | 0/-25           | 100 | -35             | 310        | 18      |

\* UU type is standard feature.

\*\* Outer cylinder is electroless nickel plated.

\*\*\* TRK6-8-E: A-MT6x1    TRK10-30-E: A-M6F    TRK35-60-E: A-PT1/8



| major dimensions |         |         |              |             | grease fitting<br>G<br>mm | eccentricity<br>$\mu\text{m}$ | perpendicularity<br>$\mu\text{m}$ | basic load rating |         | allowable static moment<br>$M_o$<br>$\text{N}\cdot\text{m}$ | mass<br>g | shaft diameter<br>mm |
|------------------|---------|---------|--------------|-------------|---------------------------|-------------------------------|-----------------------------------|-------------------|---------|---|-----------|----------------------|
| flange           |         |         |              |             |                           |                               |                                   | C<br>N            | Co<br>N |   |           |                      |
| Df<br>mm         | K<br>mm | t<br>mm | P.C.D.<br>mm | X×Y×Z<br>mm |                           |                               |                                   |                   |         |   |           |                      |
| 32               | 25      | 5       | 24           | 3.5×6×3.1   | 20.5                      | 20                            | 20                                | 323               | 530     | 8.2   | 58        | 6                    |
| 40               | 30      | 6       | 29           | 4.5×7.5×4.1 | 29                        |                               |                                   | 431               | 784     | 16.0  | 117       | 8                    |
| 43               | 34      | 6       | 33           | 4.5×7.5×4.1 | 38                        |                               |                                   | 588               | 1,100   | 27.0  | 189       | 10                   |
| 46               | 35      | 6       | 36           | 4.5×7.5×4.1 | 41                        |                               |                                   | 813               | 1,570   | 40.1  | 228       | 12                   |
| 48               | 37      | 6       | 38           | 4.5×7.5×4.1 | 45                        |                               |                                   | 813               | 1,570   | 42.9  | 286       | 13                   |
| 54               | 42      | 8       | 43           | 5.5×9×5.1   | 51                        | 25                            | 25                                | 1,230             | 2,350   | 73.5  | 376       | 16                   |
| 62               | 50      | 8       | 51           | 5.5×9×5.1   | 59                        |                               |                                   | 1,400             | 2,740   | 98.0  | 714       | 20                   |
| 74               | 58      | 10      | 60           | 6.6×11×6.1  | 82.5                      |                               |                                   | 1,560             | 3,140   | 157   | 1,163     | 25                   |
| 82               | 64      | 10      | 67           | 6.6×11×6.1  | 91                        |                               |                                   | 2,490             | 5,490   | 297   | 1,543     | 30                   |
| 96               | 75      | 13      | 78           | 9×14×8.1    | 100                       | 30                            | 30                                | 2,650             | 6,270   | 373   | 2,400     | 35                   |
| 101              | 80      | 13      | 83           | 9×14×8.1    | 115                       |                               |                                   | 3,430             | 8,040   | 553   | 2,510     | 40                   |
| 129              | 100     | 18      | 107          | 11×17×11.1  | 145                       |                               |                                   | 6,080             | 15,900  | 1,370   | 6,400     | 50                   |
| 144              | 116     | 18      | 122          | 11×17×11.1  | 155                       |                               |                                   | 7,550             | 20,000  | 1,800   | 9,200     | 60                   |

1N  $\approx$  0.102kgf    1N·m  $\approx$  0.102kgf·m