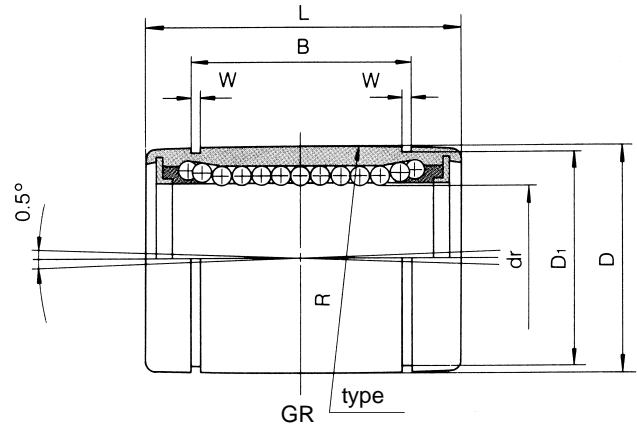
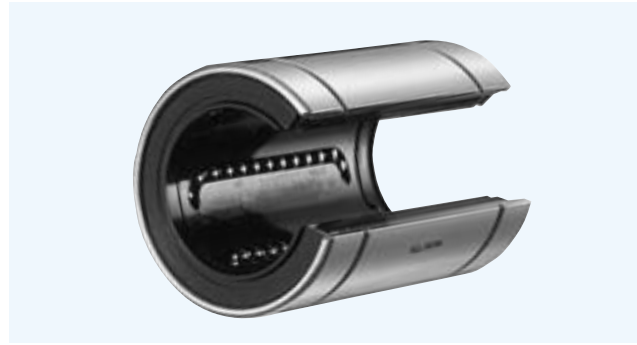
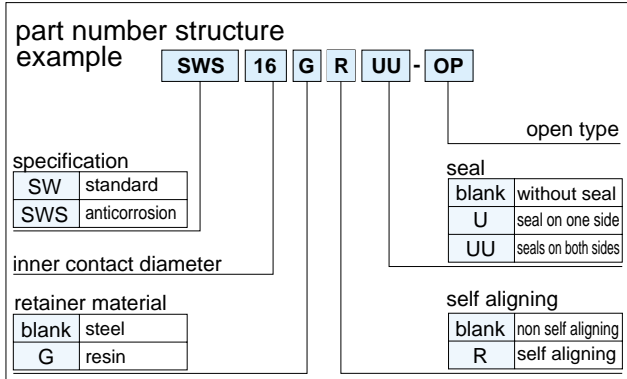


SW-OP TYPE

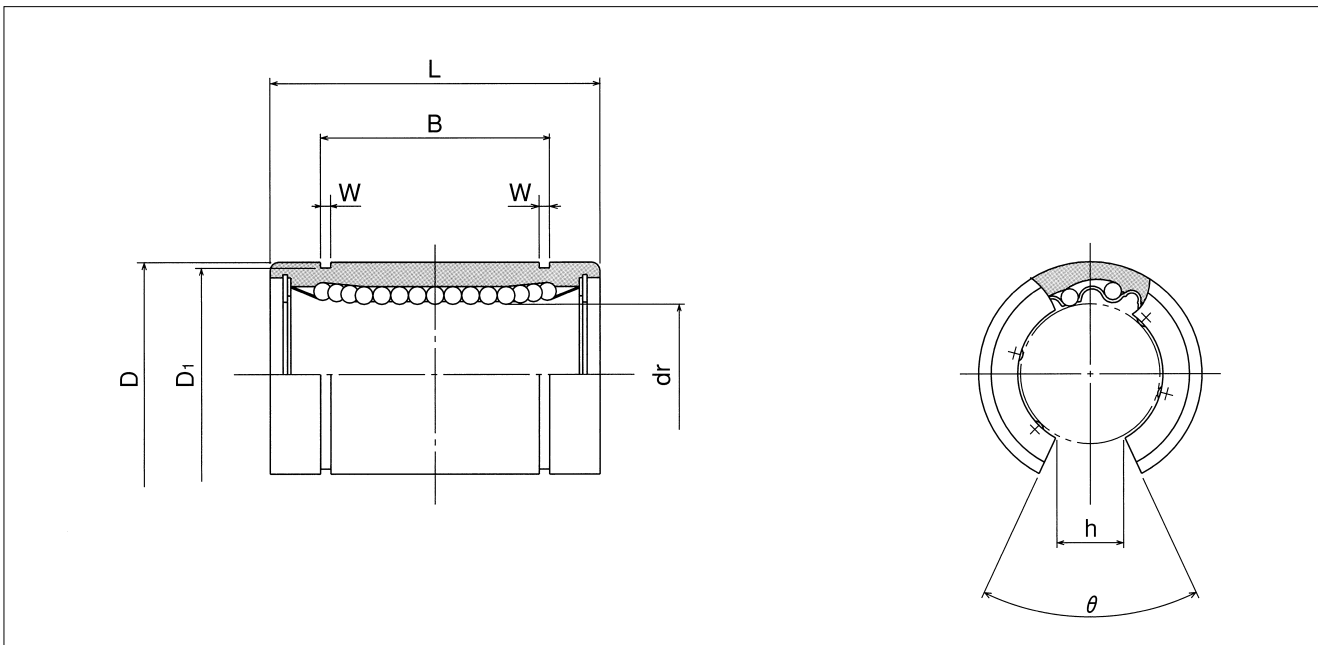
— Open Type —

This type is an inch dimension series mainly used in the U.S.



part number					number of ball circuits	dr		D	
standard		anticorrosion		inch mm		tolerance inch/ μ m	inch mm	tolerance inch/ μ m	
steel retainer	resin retainer	stainless retainer	resin retainer						
SW 8-OP	SW 8G-OP	SW 8GR-OP	SWS 8-OP	SWS 8G-OP	3	.5000 12.700	0 -.00040	.8750 22.225	0 -.00050
SW10-OP	SW10G-OP	SW10GR-OP	SWS10-OP	SWS10G-OP	3	.625 15.875	0 - 9	1.1250 28.575	0 - 13
SW12-OP	SW12G-OP	SW12GR-OP	SWS12-OP	SWS12G-OP	4	.7500 19.050	0 -.00040	1.2500 31.750	0 -.00065
SW16-OP	SW16G-OP	SW16GR-OP	SWS16-OP	SWS16G-OP	5	1.0000 25.400	0 -10	1.5625 39.688	0 - 16
SW20-OP	SW20G-OP	SW20GR-OP	SWS20-OP	SWS20G-OP	5	1.2500 31.750	0 -.00050	2.0000 50.800	0 -.00075
SW24-OP	SW24G-OP	SW24GR-OP	SWS24-OP	SWS24G-OP	5	1.5000 38.100	0 -12	2.3750 60.325	0 - 19
SW32-OP	SW32G-OP	SW32GR-OP	SWS32-OP	SWS32G-OP	5	2.0000 50.800	0 -15	3.0000 76.200	0 - 22
SW40-OP	-	-	-	-	5	2.5000 63.500	0 -.00060	3.7500 95.250	0 - 22
SW48-OP	-	-	-	-	5	3.0000 76.200	0 -15	4.50000 114.300	0 - 22
SW64-OP	-	-	-	-	5	4.0000 101.600	0 -.00080 -20	6.0000 152.400	0 -.00100 -25

* Accuracy is measured prior to machining open slot.



major dimensions								eccentricity inch μm	Radial clearance (Max) inch/μm	basic load rating		mass g	shaft diameter inch mm
L		B		W	D ₁	h	θ			dynamic C N	static C ₀ N		
inch mm	tolerance inch/mm	inch mm	tolerance inch/mm	inch mm	inch mm	inch mm							
1.2500 31.750	0	.9625 24.46	0	.0459 1.168	.8209 20.853	.34 7.9375	80°	.0005 12	-.0001 -4	510	784	32	1/2 12.700
1.5000 38.100	-.008	1.1039 28.04	-.008	.0559 1.422	1.0590 26.899	.375 9.5250	80°			774	1,180	64	5/8 15.875
1.6250 41.275	0	1.1657 29.61	0	.0559 1.422	1.1760 29.870	.4375 11.1125	60°	.0006 15	-.0002 -6	862	1,370	86	3/4 19.050
2.2500 57.150	-.012	1.7547 44.57	-.012	.0679 1.727	1.4687 37.306	.5625 14.2875	50°			980	1,570	190	1 25.400
2.6250 66.675	0	2.0047 50.92	0	.0679 1.727	1.8859 47.904	.625 15.875	50°	.0008 20	-.0003 -8	1,570	2,740	390	1-1/4 31.750
3.0000 76.200	0	2.4118 61.26	0	0.859 2.184	2.2389 56.870	.75 19.05	50°			2,180	4,020	610	1-1/2 38.100
4.0000 101.600	-.03	3.1917 81.07	-.03	.1029 2.616	2.8379 72.085	1.0 25.40	50°			3,820	7,940	1,120	2 50.800
5.0000 127.000	0	3.9760 100.99	0	.1200 3.048	3.5519 90.220	1.25 31.75	50°	.0010 25	-.0005 -13	4,700	10,000	2,230	2-1/2 63.500
6.0000 152.400	-.016	4.726 120.04	-.016	.1200 3.048	4.3100 109.474	1.5 38.10	50°			7,350	16,000	3,750	3 76.200
8.0000 203.200	0 -.4	6.258 158.95	0 -.4	.1389 3.530	5.745 145.923	2.0 50.8	50°	.0012 30	-.0008 -20	14,100	34,800	8,740	4 101.60

1N ≅ 0.225lbs 1kg ≅ 2.205lbs