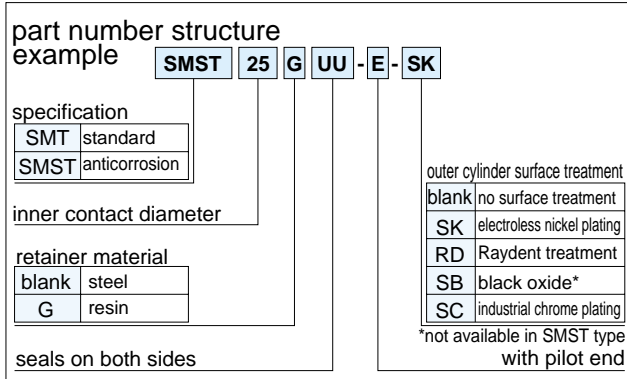


SMT-E TYPE

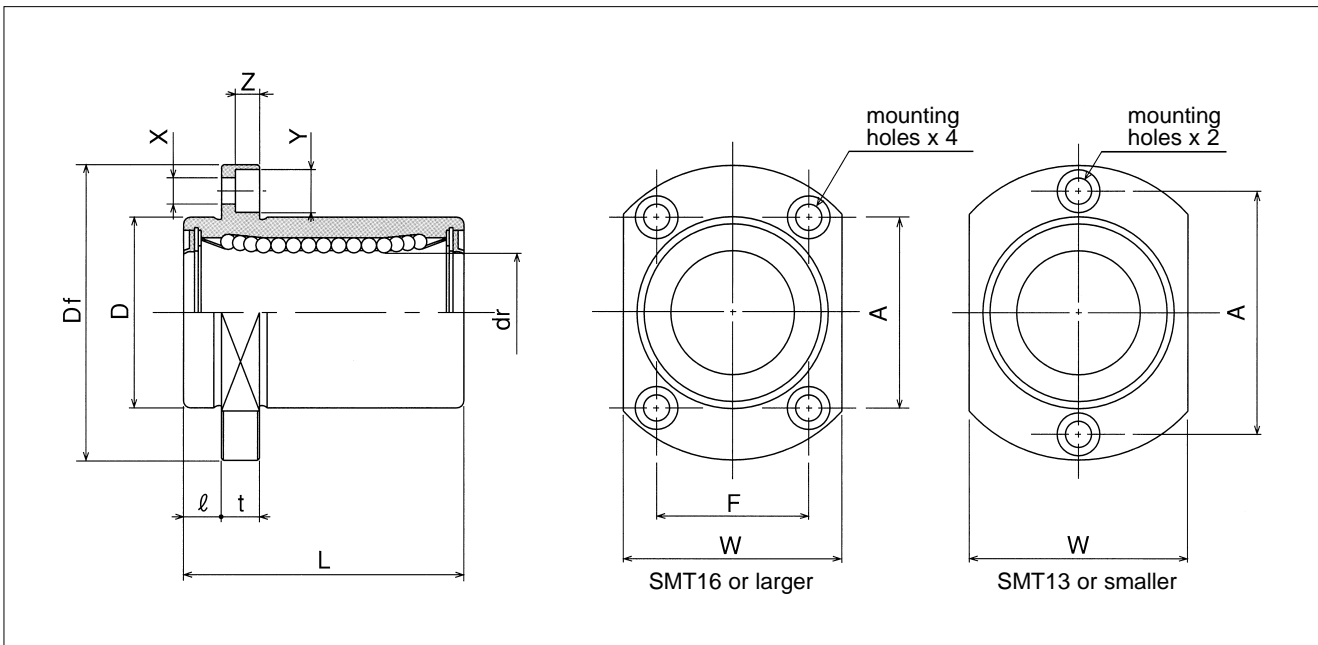
– Two Side Cut Pilot End Flange Type –

This type is a metric dimension series widely used in Japan and other countries.



part number*										
standard		anticorrosion		dr		D		L		
steel retainer	resin retainer	stainless retainer	resin retainer	mm	tolerance μm	mm	tolerance μm	±0.3 mm	ℓ mm	
SMT 6UU-E	SMT 6GUU-E	SMST 6UU-E	SMST 6GUU-E	6	- 9	12	0	19	5	
SMT 8UU-E	SMT 8GUU-E	SMST 8UU-E	SMST 8GUU-E	8		15	- 13	24	5	
SMT10UU-E	SMT10GUU-E	SMST10UU-E	SMST10GUU-E	10		0	19	- 16	29	6
SMT12UU-E	SMT12GUU-E	SMST12UU-E	SMST12GUU-E	12		21	0		30	6
SMT13UU-E	SMT13GUU-E	SMST13UU-E	SMST13GUU-E	13		23	32		6	
SMT16UU-E	SMT16GUU-E	SMST16UU-E	SMST16GUU-E	16		28	37		6	
SMT20UU-E	SMT20GUU-E	SMST20UU-E	SMST20GUU-E	20	0	32	0	42	8	
SMT25UU-E	SMT25GUU-E	SMST25UU-E	SMST25GUU-E	25		40		59	8	
SMT30UU-E	SMT30GUU-E	SMST30UU-E	SMST30GUU-E	30		- 10		45	- 19	64

* UU type is standard feature.



major dimensions						eccentricity	perpen- dicularity	basic load rating		mass	shaft diameter
flange								μm	μm		
D_f mm	W mm	t mm	A mm	F mm	$X \times Y \times Z$ mm	12	12			C N	C_o N
28	18	5	20	—	$3.5 \times 6 \times 3.1$			12	12	206	265
32	21	5	24	—	$3.5 \times 6 \times 3.1$	274	392			33	8
40	25	6	29	—	$4.5 \times 7.5 \times 4.1$	372	549			64	10
42	27	6	32	—	$4.5 \times 7.5 \times 4.1$	510	784			68	12
43	29	6	33	—	$4.5 \times 7.5 \times 4.1$	510	784			81	13
48	34	6	31	22	$4.5 \times 7.5 \times 4.1$	774	1,180			112	16
54	38	8	36	24	$5.5 \times 9 \times 5.1$	15	15	882	1,370	167	20
62	46	8	40	32	$5.5 \times 9 \times 5.1$			980	1,570	325	25
74	51	10	49	35	$6.6 \times 11 \times 6.1$			1,570	2,740	388	30

1N \approx 0.102kgf