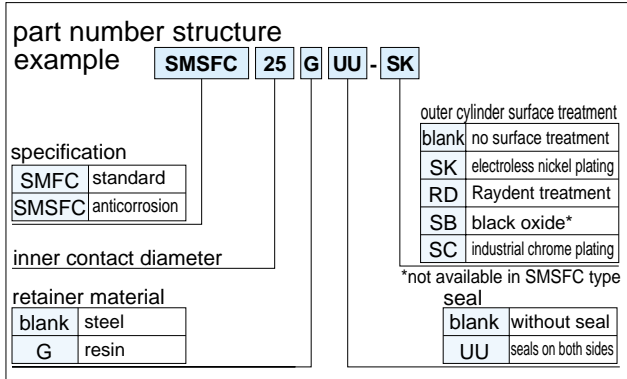


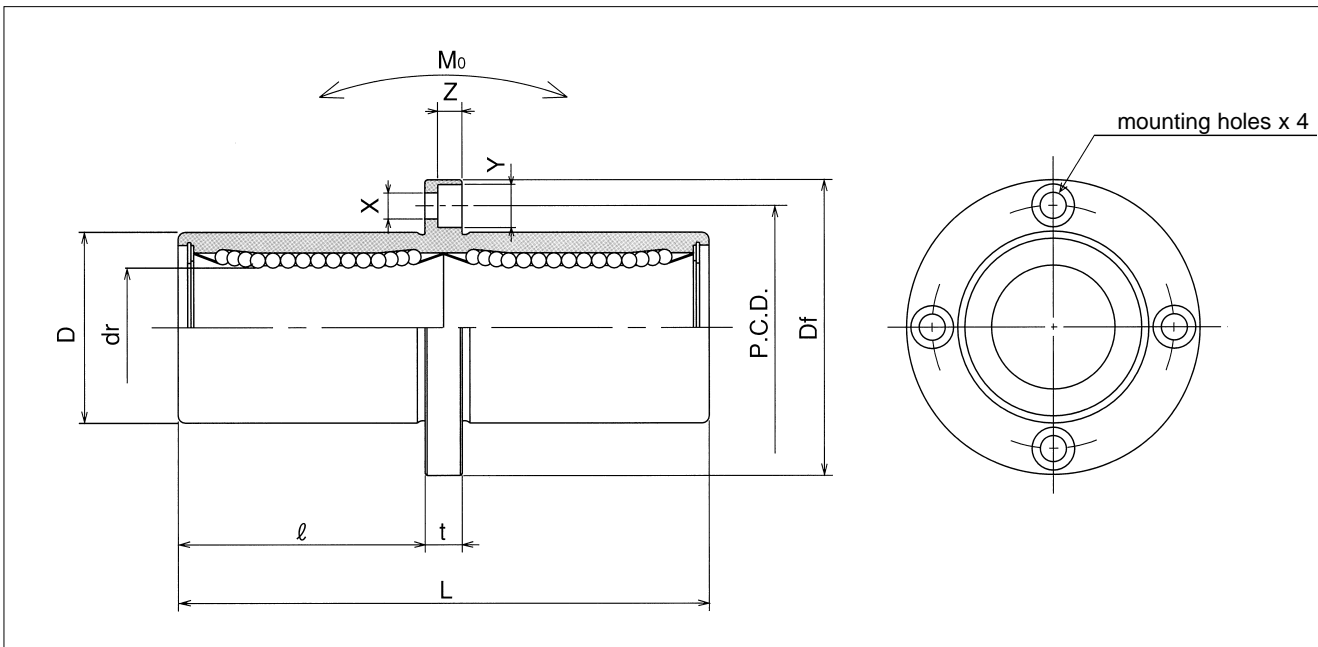
# SMFC TYPE

## – Center Mount Round Flange Type –

This type is a metric dimension series widely used in Japan and other countries.



part number									
standard		anticorrosion		dr		D		L	
steel retainer	resin retainer	stainless retainer	resin retainer	mm	tolerance μm	mm	tolerance μm	±0.3 mm	ℓ mm
SMFC 6	SMFC 6G	SMSFC 6	SMSFC 6G	6		12	0	35	15
SMFC 8	SMFC 8G	SMSFC 8	SMSFC 8G	8		15	-13	45	20
SMFC10	SMFC10G	SMSFC10	SMSFC10G	10	0	19		55	24.5
SMFC12	SMFC12G	SMSFC12	SMSFC12G	12	-10	21	0	57	25.5
SMFC13	SMFC13G	SMSFC13	SMSFC13G	13		23	-16	61	27.5
SMFC16	SMFC16G	SMSFC16	SMSFC16G	16		28		70	32
SMFC20	SMFC20G	SMSFC20	SMSFC20G	20	0	32	0	80	36
SMFC25	SMFC25G	SMSFC25	SMSFC25G	25		40		112	52
SMFC30	SMFC30G	SMSFC30	SMSFC30G	30	-12	45	-19	123	56.5
SMFC35	SMFC35G	SMSFC35	SMSFC35G	35	0	52	0	135	62.5
SMFC40	SMFC40G	SMSFC40	SMSFC40G	40		60		151	69
SMFC50	SMFC50G	SMSFC50	SMSFC50G	50	-15	80	-22	192	89.5
SMFC60	SMFC60G	SMSFC60	SMSFC60G	60	0/-20	90	0/-25	209	95.5



major dimensions				eccentricity $\mu\text{m}$	perpen- dicularity $\mu\text{m}$	basic load rating		allowable static moment $\text{Mo}$ $\text{N} \cdot \text{m}$	mass g	shaft diameter mm
flange						dynamic C N	static $\text{Co}$ N			
Df mm	t mm	P.C.D. mm	X×Y×Z mm							
28	5	20	3.5×6×3.1	15	15	323	530	2.18	31	6
32	5	24	3.5×6×3.1			431	784	4.31	51	8
40	6	29	4.5×7.5×4.1			588	1,100	7.24	98	10
42	6	32	4.5×7.5×4.1			813	1,570	10.9	110	12
43	6	33	4.5×7.5×4.1			813	1,570	11.6	130	13
48	6	38	4.5×7.5×4.1			1,230	2,350	19.7	190	16
54	8	43	5.5×9×5.1	20	20	1,400	2,740	26.8	260	20
62	8	51	5.5×9×5.1			1,560	3,140	43.4	540	25
74	10	60	6.6×11×6.1			2,490	5,490	82.8	680	30
82	10	67	6.6×11×6.1	25	25	2,650	6,270	110	1,020	35
96	13	78	9×14×8.1			3,430	8,040	147	1,570	40
116	13	98	9×14×8.1			6,080	15,900	397	3,600	50
134	18	112	11×17×11.1			7,550	20,000	530	4,500	60

1N  $\approx$  0.102kgf    1N·m  $\approx$  0.102kgf·m