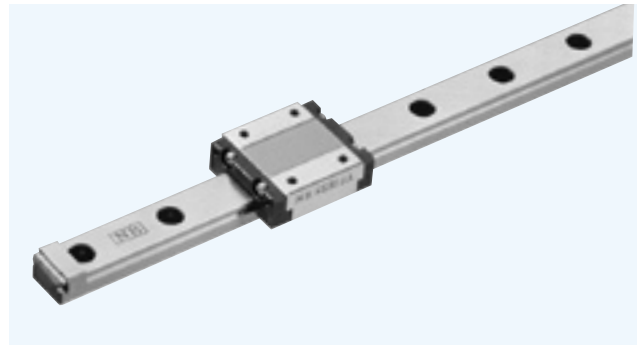


# SEB-A/AY TYPE

— Standard Type —



part number structure

example **SEBS 15A Y UU 2 T1 - 589 P / W2**

specification	symbol for number of rails
SEB standard	blank single rail
SEBS anticorrosion	W2 double rails
	W3 triple rails

size	accuracy grade
blank	blank high
Y long	P precision

block	total length of rail
blank standard	pre-load symbol
Y long	T0 clearance
	blank standard
	T1 light pre-load

seal	number of blocks attached to one rail
blank without side-seal	
UU seals on both ends	

Note: The symbol for the number of rails does not mean the number of rails ordered.

part number		assembly dimensions		block dimensions								
		H	W	B	L <sub>1</sub>	L <sub>2</sub>	P <sub>1</sub>	P <sub>2</sub>	S <sub>1</sub>	ℓ	L <sub>3</sub>	b
standard	anticorrosion	mm	mm	mm	mm	mm	mm	mm		mm	mm	mm
—	SEBS 5A	6	3.5	12	15.6	17	8	—	M2	1.5	9.8	4.5
	SEBS 5AY				19.2	20.6		—			7	
—	SEBS 7A	8	5	17	21.9	24	12	8	M2	2.5	15.1	6.5
	SEBS 7AY				31	33		13			24.6	
SEB 9A	SEBS 9A	10	5.5	20	28.1	30	15	10	M3	3	20.4	7.8
	SEB 9AY				SEBS 9AY	38.1		40			16	
SEB12A	SEBS12A	13	7.5	27	30	33.5	20	15	M3	3.5	23	10
	SEB12AY				SEBS12AY	42		45.5			20	
SEB15A	SEBS15A	16	8.5	32	38.5	42	25	20	M3	4	29.5	12
	SEB15AY				SEBS15AY	54.5		58			25	
SEB20A	SEBS20A	25	13	46	55.7	61	38	38	M4	6	45.7	17.5
	SEB20AY				SEBS20AY	79.5		85			38	

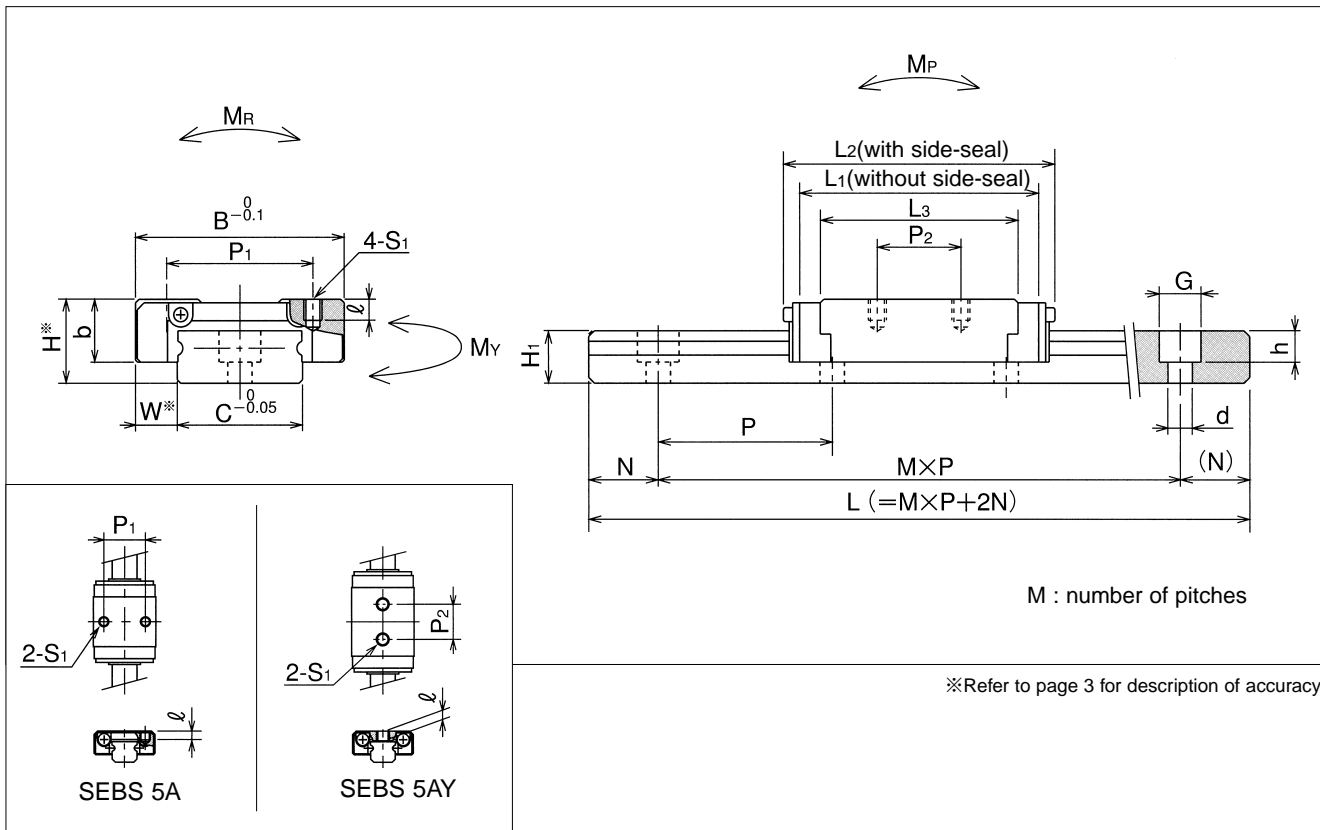
※1 Custom mounting bolts are provided for SEBS 5.(See Page6)

rail size	standard rail length											
	L											
	mm											
5	40	55	70	85	100	130	160					
7	40	55	70	85	100	130	160	190	220	250	280	310
9	55	75	95	115	135	155	175	195	235	275	315	355
12	70	95	120	145	170	195	220	245	270	295	320	345
15	70	110	150	190	230	270	310	350	390	430	470	510
20	220	280	340	400	460	520	580	640	760	880	1,000	

With custom length rails, kindly advise distance (N) from one end of rail to first hole.

Unless we are advised (N) distance by customer, we assume distance (N) to be as state in Page4.

Joint rails are used when the required length exceeds the maximum standard length listed in the dimensional tables. Contact NB for details.



guide-rail dimensions					basic load rating		allowable static moment			mass		size
H <sub>1</sub>	C	d×G×h	N	P	dynamic	static	M <sub>P</sub> N·m	M <sub>Y</sub> N·m	M <sub>R</sub> N·m	block kg	guide rail kg/m	
mm	mm	mm	mm	mm	C kN	Co kN						
4	5	2.4×3.5×1※1	5	15	0.43	0.72	1.2	1.5	1.9	0.003	0.13	5A
					0.59	0.99	2.2	2.8	2.6	0.004		5AY
4.7	7	2.4×4.2×2.3	5	15	1.08	1.67	4.1	4.9	5.2	0.01	0.19	7A
					1.89	2.92	12.0	14.3	9.1	0.015		7AY
5.5	9	3.5×6×3.5	7.5	20	1.67	2.45	6.9	7.8	11.8	0.02	0.31	9A
					2.55	3.82	16.7	19.6	17.6	0.03		9AY
7.5	12	3.5×6×4.5	10	25	2.16	3.14	8.8	10.8	18.6	0.04	0.61	12A
					3.53	5.10	24.5	29.4	32.3	0.06		12AY
9.5	15	3.5×6×4.5	15	40	3.63	5.39	21.6	25.5	40.2	0.06	1.02	15A
					5.88	8.72	57.8	68.6	67.6	0.10		15AY
15	20	6×9.5×8.5	20	60	6.86	9.80	51.0	60.8	98.0	0.23	2.14	20A
					11.0	15.7	157	186	157	0.34		20AY

1kN≒102kgf 1N·m≒0.102kgf·m

						maximum length	
						standard	anticorrosion
						—	300
						—	700
395	435	475				500	1,000
370	395	420	445	470	495		
550	590	630	670				