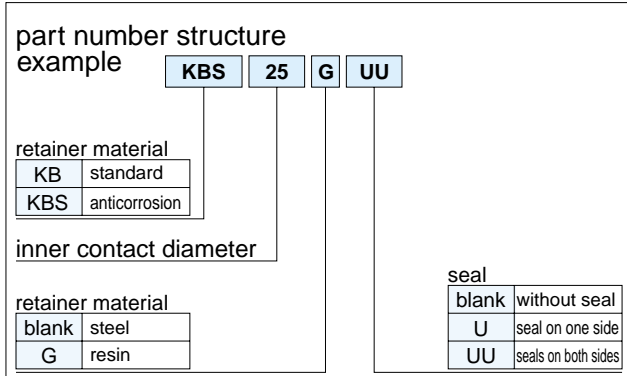


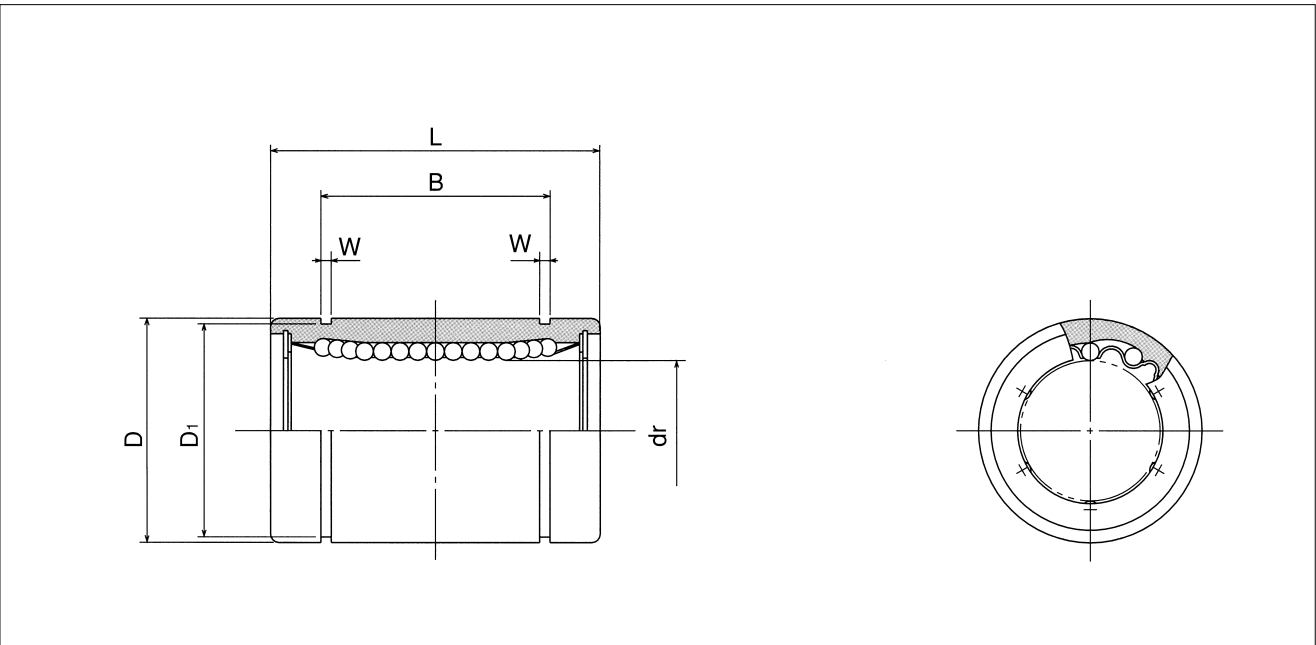
KB TYPE

– Standard Type –

This type is a metric dimension series generally used in Europe.



part number				number of ball circuits	D				
standard		anticorrosion			dr	D		tolerance μm	
steel retainer	resin retainer	stainless retainer	resin retainer			mm	tolerance μm		mm
KB 3	KB 3G	KBS 3	KBS 3G	4	3	+ 8 0	7	0 - 8	
KB 4	KB 4G	KBS 4	KBS 4G	4	4		8		
KB 5	KB 5G	KBS 5	KBS 5G	4	5		12		
KB 8	KB 8G	KBS 8	KBS 8G	4	8		16		
KB10	KB10G	KBS10	KBS10G	4	10		19		
KB12	KB12G	KBS12	KBS12G	4	12		22		
KB16	KB16G	KBS16	KBS16G	4	16		26		- 9
KB20	KB20G	KBS20	KBS20G	5	20		32		0
KB25	KB25G	KBS25	KBS25G	6	25		40		- 11
KB30	KB30G	KBS30	KBS30G	6	30		47		0
KB40	KB40G	KBS40	KBS40G	6	40	+ 13	62	- 13	
KB50	KB50G	KBS50	KBS50G	6	50	- 2	75	0	
KB60	KB60G	KBS60	KBS60G	6	60	+ 16/- 4	90	0	
KB80	—	—	—	6	80		120	- 15	



major dimensions						eccentricity	radial clearance (maximum)	basic load rating		mass	shaft diameter
mm	L	B		W	D ₁			dynamic	static		
	tolerance	mm	tolerance								
	mm	mm	mm	mm	mm	μm	μm	N	N	g	mm
10	0	—	—	—	—	10	- 3	69	105	1.4	3
12	-0.12	—	—	—	—			88	127	2	4
22	0	14.5	0	1.1	11.5	12	- 4	206	265	11	5
25		16.5		1.1	15.2			265	402	22	8
29		22		1.3	18			372	549	36	10
32		22.9		1.3	21			510	784	45	12
36	-0.2	24.9	-0.2	1.3	24.9	15	- 6	578	892	60	16
45	31.5	1.6	30.3	862	1,370			102	20		
58	0	44.1	0	1.85	37.5	17	- 8	980	1,570	235	25
68		52.1		1.85	44.5			1,570	2,740	360	30
80	-0.3	60.6	-0.3	2.15	59	20	- 13	2,160	4,020	770	40
100	77.6	2.65	72	3,820	7,940			1,250	50		
125	0	101.7	0	3.15	86.5	20	- 20	4,700	9,800	2,220	60
165	-0.4	133.7	-0.4	4.15	116			7,350	16,000	5,140	80

1N ≙ 0.102kgf