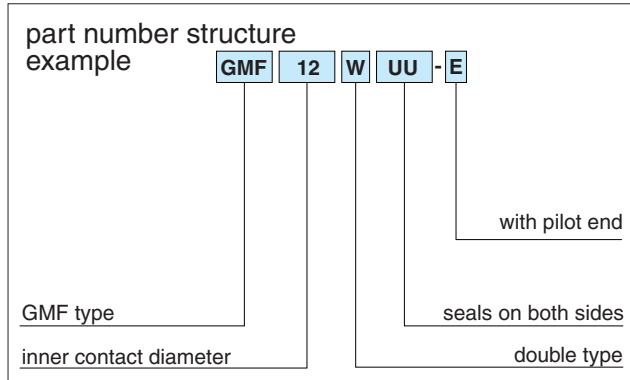


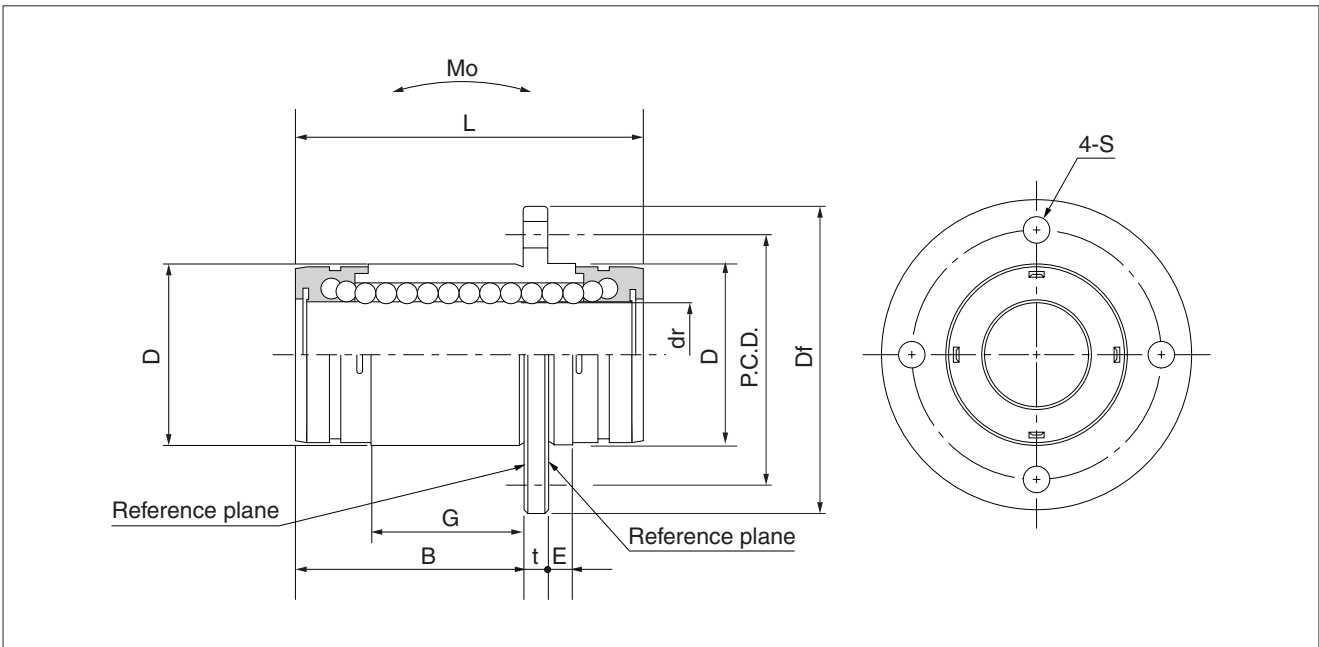
GMF-W-E TYPE

– Round Flange Double-Wide Type with pilot end–



part number	number of ball circuits	major dimensions							
		dr		D		L	B	G	E
		mm	tolerance μm	mm	tolerance μm				
GMF 6W UU-E	4	6	0 -10	12	0	28	13.8	7.6	4
GMF 8W UU-E	4	8		15	-13	36	21.1	14.2	4
GMF10W UU-E	4	10		19	0 -16	41	24.2	15.4	4
GMF12W UU-E	4	12		21		46	30.2	22.4	4
GMF13W UU-E	4	13		23		48	30.65	21.3	4
GMF16W UU-E	4	16	28	0 -12	53	33.3	22.6	5	
GMF20W UU-E	6	20	32		65	44.2	33.4	5	
GMF25W UU-E	6	25	40		91	65.5	50.0	5	
GMF30W UU-E	6	30	45	-19	99	69.3	52.6	5	

Both side of flange are reference plane.



flange				perpen- dicularity μm	basic load rating		allowable static moment M_o $\text{N} \cdot \text{m}$	mass g	shaft diameter mm
Df mm	t mm	P.C.D mm	S mm		C N	Co N			
28	4	20	3.5	15	323	530	1.5	25	6
32	4	24	3.5		431	784	3.3	38	8
40	4	29	4.5		588	1,100	5.0	62	10
42	4	32	4.5		813	1,570	7.6	75	12
43	4	33	4.5		813	1,570	8.1	83	13
48	4	38	4.5		1,230	2,350	13.8	115	16
54	5	43	5.5	20	1,400	2,740	20.0	188	20
62	5	51	5.5		1,560	3,140	34.8	350	25
74	8	60	6.6		2,490	5,490	57.5	502	30

1N \approx 0.102kgf 1N \cdot m \approx 0.102kgf \cdot m