



# Air-Powered Gearmotors

6AM Series, 40:1 reduction, 250 – 2500 lbs. in. (30 – 275 Nm) torque at 8 rpm (minimum speed reduction)



## MODEL

### 6AM-22A-GB40

(8 Vanes, Reversible)

Net wt. for standard configuration  
104 lbs. (46,8 kg)

## FEATURES

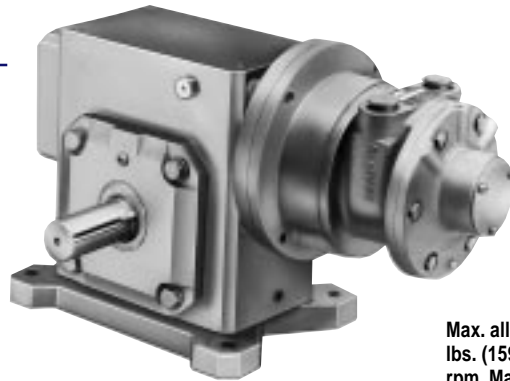
- 40:1 gear reducer
- Base mounting
- Optional mountings and shaft locations available
- Muffler AC990 (not shown)

## RECOMMENDED

- Filter AH106F
- Regulator AH107R
- Gauge AA806
- Lubricator AH108L
- Oil AD220 – 1 quart (.94 litres)
- Repair kit K281 (Air motor only)

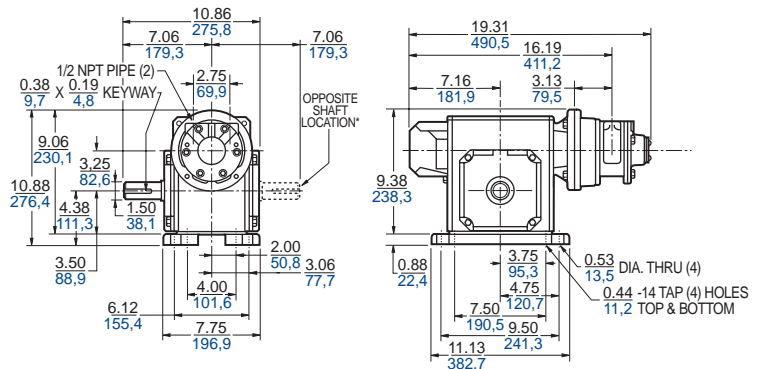
## OPTIONAL

- Muffler AL476 (for additional noise reduction)

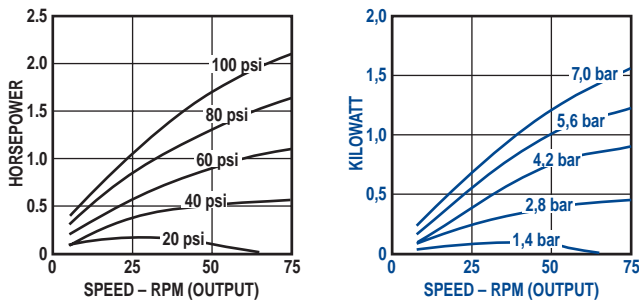


Max. allowable end thrust with 0 overhung load is 3552 lbs. (1598,4 kg) at 30 rpm to 2154 lbs. (969,3 kg) at 75 rpm. Max. overhung load on output shaft with 0 end thrust 2857 lbs. (1285,7 kg).

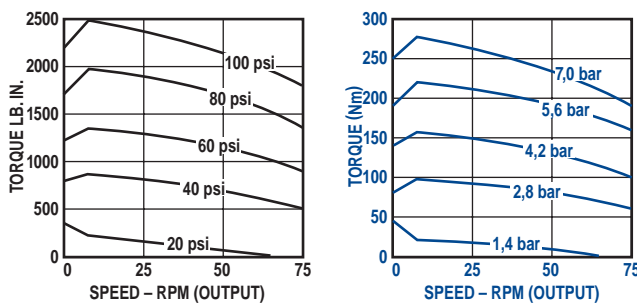
**"B" Mounting** (photo)  
6AM-22A-GB40 / \*6AM-22A-GF40  
(standard shaft) / (opposite shaft)  
inches / mm



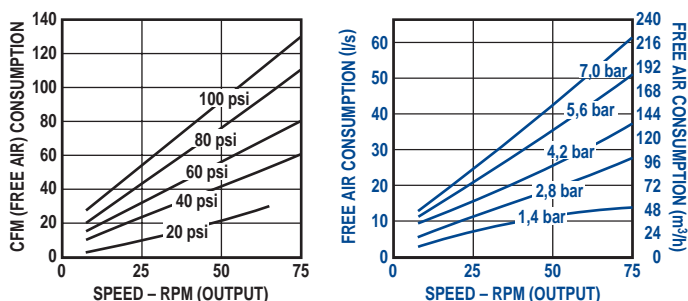
### Output Power vs. Speed



### Torque vs. Speed



### Air Consumption vs. Speed



**"C" Mounting**  
6AM-22A-GC40 / \*6AM-22A-GG40  
(standard shaft) / (opposite shaft)  
inches / mm

