

# Air-Powered Gearmotors

4AM Series, 10 and 15:1 reduction, 100 – 630 lbs. in. (11 – 72 Nm) torque at 30 rpm (minimum speed reduction)



## MODEL

### 4AM-RV-75-GR20

(4 Vanes, Reversible)

Net wt. 28 lbs. (12,6 kg)

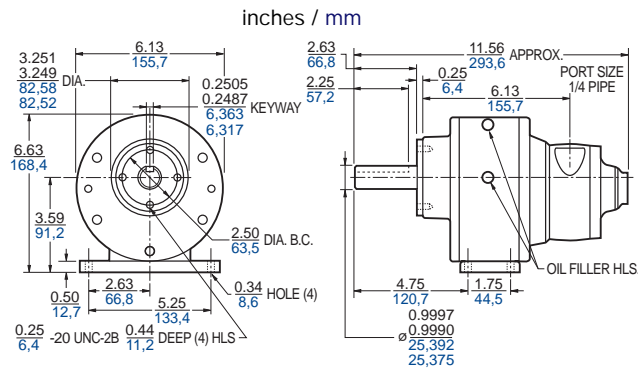
## FEATURES

- 10:1 gear reducer
- Face, foot mounting
- Horizontal or shaft down operation
- Muffler AL445 (not shown)

## RECOMMENDED

- Filter AH103F
- Regulator AH104R
- Gauge AA806
- Lubricator AH105L
- Oil AD220 – 1 quart (.94 litres)
- Repair kit K205 (Air motor only)

Max. allowable end thrust with 0 overhung load ranges from 200 lbs. (90,0 kg) at 300 rpm to 800 lbs. (360,0 kg) at 30 rpm. Max. overhung load with 0 end thrust ranges from 200 lbs. (90,0 kg) at 300 rpm to 600 lbs. (270,0 kg) at 30 rpm. Max. recommended pressures to 80 psi (5,6 bar).



## MODEL

### 4AM-RV-75-GR25

(4 Vanes, Reversible)

Net wt. 28 lbs. (12,6 kg)

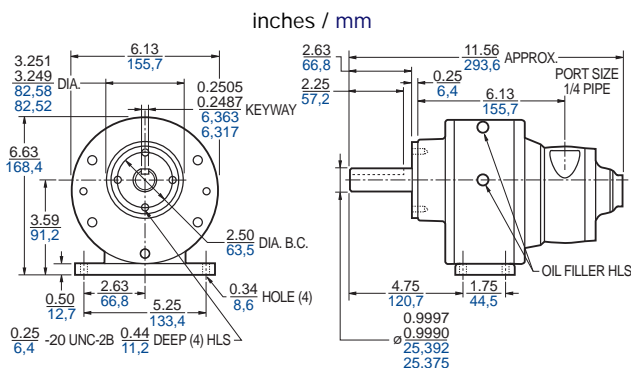
## FEATURES

- 15:1 gear reducer
- Face, foot mounting
- Horizontal or shaft down operation
- Muffler AL445 (not shown)

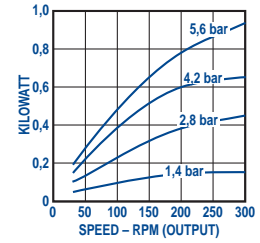
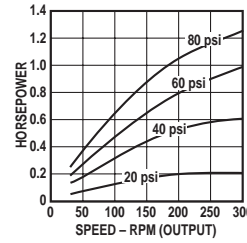
## RECOMMENDED

- Filter AH103F
- Regulator AH104R
- Gauge AA806
- Lubricator AH105L
- Oil AD220 – 1 quart (.94 litres)
- Repair kit K205 (Air motor only)

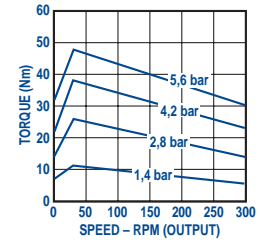
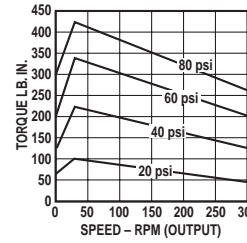
Max. allowable end thrust with 0 overhung load ranges from 250 lbs. (112,5 kg) at 200 rpm to 800 lbs. (360,0 kg) at 20 rpm. Max. overhung load with 0 end thrust ranges from 200 lbs. (90,0 kg) at 200 rpm to 600 lbs. (270,0 kg) at 20 rpm. Max. recommended pressures to 80 psi (5,6 bar).



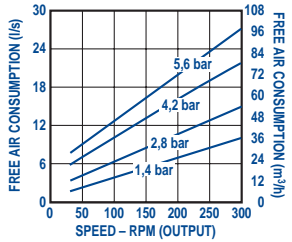
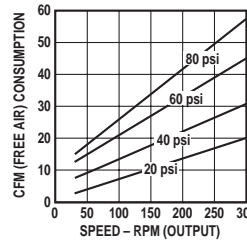
## Output Power vs. Speed



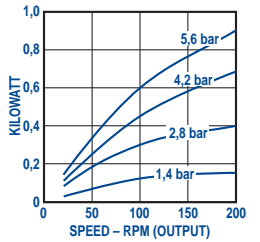
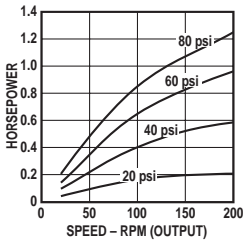
## Torque vs. Speed



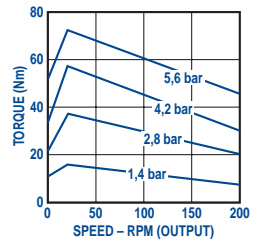
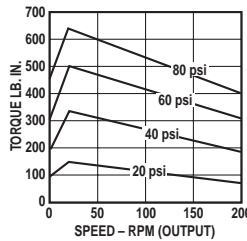
## Air Consumption vs. Speed



## Output Power vs. Speed



## Torque vs. Speed



## Air Consumption vs. Speed

